

RIV740 BATTERY TOOL FOR RIVET NUTS

from M3 to M12 mm



APPLICATIONS

Light carpentry, mechanical industry, automotive.



Cylindrical open



Tanks, airtight boxes, tubs.



Cylindrical blind



Mechanics of the food sector.



Hexagonal Half-Hexagonal



Plastic, vitronite, composites, fiberglass.



Tubriv Jackriv



RIVIT.IT



FASTENERS & TOOLS

a FERVI GROUP company



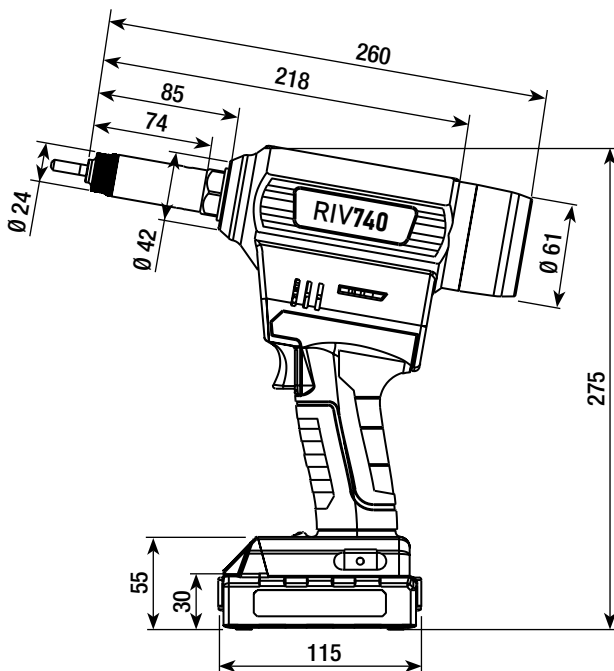
RIV740 BATTERY TOOL FOR RIVET NUTS FROM M3 TO M12

Item codes

RIV740	6352000
Battery	6359600
Charger	6359700
Kit for rivet nuts M3	6360900
Kit for rivet nuts M4	6361000
Kit for rivet nuts M5	6361100
Kit for rivet nuts M6	6361200
Kit for rivet nuts M8	6361300
Kit for rivet nuts M10	6361400
Kit for rivet nuts M12	6361500

Product plus

Equipped with a powerful and reliable brushless motor and a long-life battery, the RIV740 makes of easyness and reliability its strong points **offering the customer a value-added solution covering a wide range of applications, for rivet nuts from M3 to M12 mm.**



Technical features

For rivet nuts	M3 - M12
Stroke	10 mm
Pull force	28000 N
Battery	18 V / 2.0 Ah / 36 Wh
Charger	100-240 V / 50-60 Hz
Packaging dimensions	360 x 350 x 130 mm
Weight including battery	2.10 kg
Touch panel	Stroke setting Counter Manual and automatic setting

Number of rivet nuts placed with one charge

(estimated figure with 100% charged battery at room temperature of 25°C)

Blind rivet Ø (mm)	Material	Rivets/charge
M3	Aluminum	1500/1600
M3	Stainless steel	1400/1500
M4	Aluminum	1400/1500
M4	Stainless steel	1300/1400
M5	Aluminum	1300/1400
M5	Stainless steel	1200/1300
M6	Aluminum	1200/1300
M6	Stainless steel	1100/1200
M8	Aluminum	1100/1200
M8	Stainless steel	1000/1100
M10	Aluminum	1000/1100
M10	Stainless steel	900/1000
M12	Aluminum	900/1000
M12	Stainless steel	800/900

Packaging

New practical and durable case with a wide range of accessories, including 2 batteries.

The right choice for the professional.



Composed of:

- 1 battery tool w/kit M6 mounted
- 1 kit M3, M4, M5, M8, M10, M12
- 2 batteries
- 1 charger
- 1 wrench 12-17-22-23.5-26
- 1 belt hook



Application



RIVIT.IT



**FASTENERS
& TOOLS**

a FERVI GROUP company

