

# RIV730 BATTERY TOOL FOR RIVET NUTS

from M3 to M10 mm

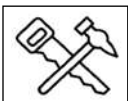


## APPLICATIONS

General, light carpentry.



Cylindrical open



Tanks, airtight boxes, tubs.



Cylindrical blind



Plastics, fiberglass.



Jackriv



Composite materials, fiberglass.



Tubriv



RIVIT.IT



FASTENERS  
& TOOLS

a FERVI GROUP company



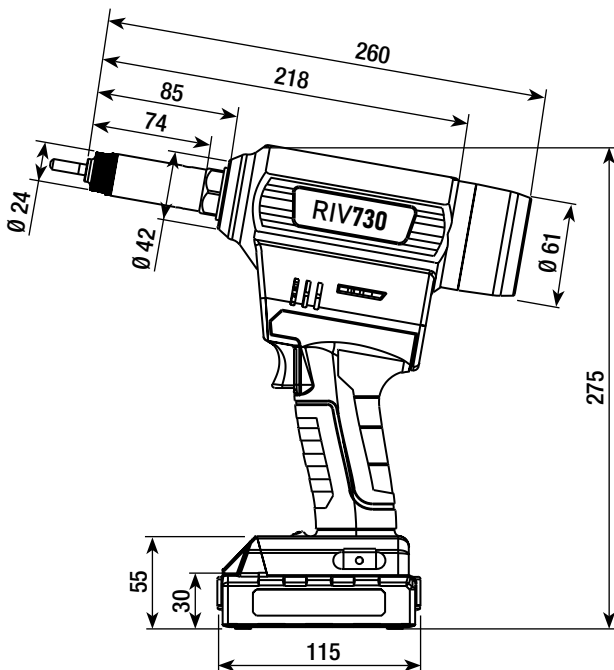
# RIV730 BATTERY TOOL FOR RIVET NUTS FROM M3 TO M10

## Item codes

RIV730	6351900
Battery	6359600
Charger	6359700
Kit for rivet nuts M3	6360900
Kit for rivet nuts M4	6361000
Kit for rivet nuts M5	6361100
Kit for rivet nuts M6	6361200
Kit for rivet nuts M8	6361300
Kit for rivet nuts M10	6361400

## Product plus

Equipped with a powerful and reliable brushless motor and a long-life battery, the RIV730 makes of easyness and reliability its strong points, **offering the customer a value-added solution covering a wide range of applications, for rivet nuts from M3 to M8 mm (M10 only in aluminum).**



## Packaging

New cardboard packaging that is lightweight, convenient, versatile and environmentally sustainable. **The right choice for every need, from the professional to the do-it-yourselfer.**



### Composed of:

- 1 battery tool w/kit M6 mounted
- 1 kit M3, M4, M5, M8, M10
- 1 battery
- 1 charger
- 1 wrench 12-17-22-23.5-26



## Technical features

For rivet nuts	M3 - M10 mm
Stroke	10 mm
Pull force	20000 N
Battery	18 V / 2.0 Ah / 36 Wh
Charger	100-240 V / 50-60 Hz
Packaging dimensions	330 x 265 x 90 mm
Weight including battery	2.00 kg
Touch panel	Stroke adjustment Counter

## Number of rivet nuts placed with one charge

(estimated figure with 100% charged battery at room temperature of 25°C)

Blind rivet Ø (mm)	Material	Rivets/charge
M3	Aluminum	1500/1600
M3	Steel	1400/1500
M4	Aluminum	1400/1500
M4	Steel	1300/1400
M5	Aluminum	1300/1400
M5	Steel	1200/1300
M6	Aluminum	1200/1300
M6	Steel	1100/1200
M8	Aluminum	1100/1200
M8	Steel	1000/1100
M10	Aluminum	1000/1100

## Application



RIVIT.IT



FASTENERS  
& TOOLS

a FERVI GROUP company

